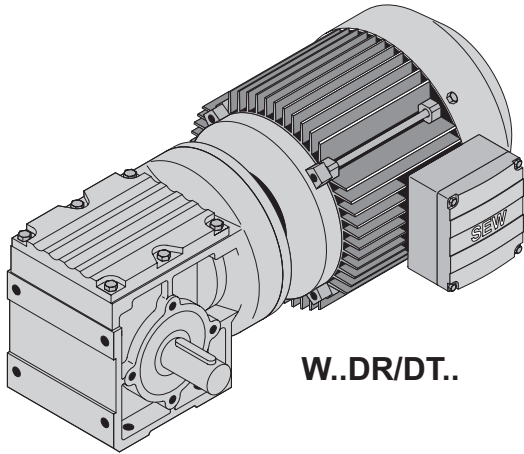
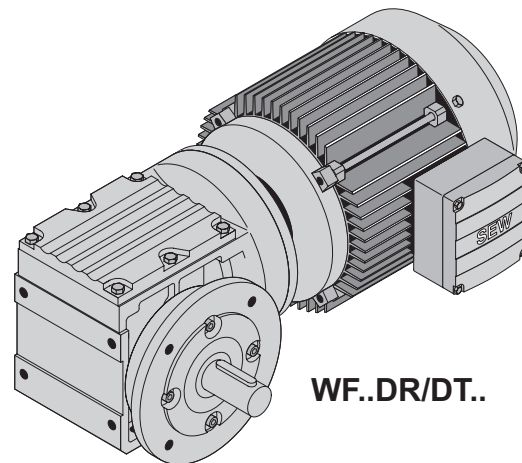


## 11 W..DR/DT

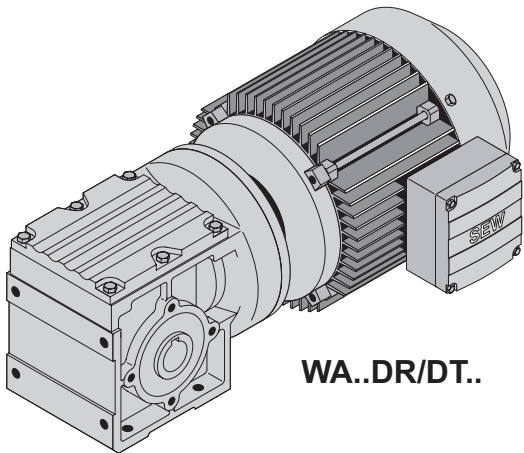
### 11.1 W, WF, WA, WAF..DR/DT



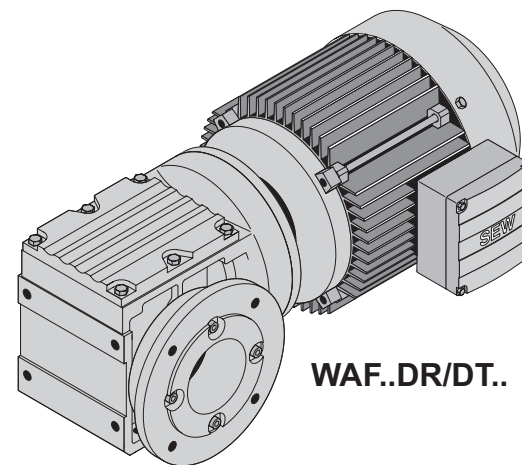
W..DR/DT..



WF..DR/DT..

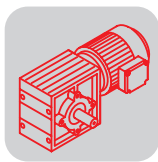


WA..DR/DT..



WAF..DR/DT..

04458AXX



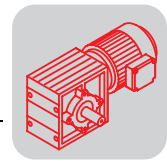
**W..DR/DT**  
W.. → DR/DT

## 11.2 W.. → DR/DT



<b>W10, n<sub>e</sub> = 1400 1/min</b>					<b>DT56</b>		<b>25 Nm</b>
n <sub>a</sub> [1/min]	M <sub>amax</sub> [Nm]	F <sub>Ra</sub> [N]	φ (/R) [ ' ]	i			
19	25	1800	-	75.00*			
23	25	1800	-	60.00*			
29	25	1800	-	48.00*			
36	25	1800	-	39.00*			
43	25	1800	-	32.50*			
51	24	1800	-	27.50*			
57	25	1800	-	24.50*			
72	25	1800	-	19.50*			
85	20	1800	-	16.50*			
98	22	1800	-	14.33			
137	13	1800	-	10.25*			
171	12	1800	-	8.20*			
213	12	1720	-	6.57			

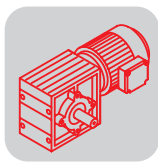
<b>W20, n<sub>e</sub> = 1400 1/min</b>					<b>DR63 DT71</b>		<b>40 Nm</b>
n <sub>a</sub> [1/min]	M <sub>amax</sub> [Nm]	F <sub>Ra</sub> [N]	φ (/R) [ ' ]	i			
19	40	2200	-	75.00*			
23	40	2200	-	60.00*			
29	40	2200	-	48.00*			
36	40	2200	-	39.00*			
43	40	2200	-	32.50*			
51	40	2200	-	27.50*			
57	40	2200	-	24.50*			
72	35	2200	-	19.50*			
85	30	2200	-	16.50*			
98	30	2110	-	14.33			
137	25	1920	-	10.25*			
171	20	1830	-	8.20*			
213	20	1720	-	6.57			

<b>W30, n<sub>e</sub> = 1400 1/min</b>					<b>DR63 DT71</b>		<b>DT80</b>		<b>70 Nm</b>
n <sub>a</sub> [1/min]	M <sub>amax</sub> [Nm]	F <sub>Ra</sub> [N]	φ (/R) [ ' ]	i					
19	70	3000	-	75.00*					
23	70	3000	-	60.00*					
29	70	3000	-	48.00*					
36	70	3000	-	39.00*					
43	70	3000	-	32.50*					
51	70	3000	-	27.50*					
57	70	3000	-	24.50*					
72	70	3000	-	19.50*					
86	60	3000	-	16.33					
98	60	3000	-	14.33					
137	50	2950	-	10.25*					
171	40	2810	-	8.20*					
213	40	2590	-	6.57					

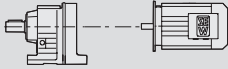



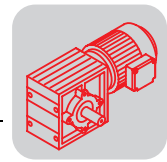
11.3 W..D.. [kW]

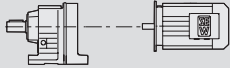

$P_m$ [kW]	$n_a$ [1/min]	$M_a$ [Nm]	$i$	$F_{Ra}^{1)}$ [N]	SEW $f_B$		$m$ [kg]		
0.09	17	20	75.00*	1800	1.25				
	22	18	60.00*	1800	1.45				
	27	16	48.00*	1800	1.55				
	33	15	39.00*	1800	1.70				
	40	13	32.50*	1800	1.90				
	47	12	27.50*	1800	2.1	W 10	DT 56M4	5.3	497
	53	11	24.50*	1800	2.3	WF 10	DT 56M4	5.5	498
	67	9.4	19.50*	1800	2.7	WA 10	DT 56M4	5.3	499
	79	8.4	16.50*	1800	2.4	WAF 10	DT 56M4	5.5	498
	91	7.6	14.33	1800	2.9				
	127	5.8	10.25*	1800	2.2				
	159	4.8	8.20*	1800	2.5				
	198	4.0	6.57	1800	3.0				
0.12	12	40	75.00*	3000	1.75	W 30	DR 63M6	9.1	503
	15	38	60.00*	3000	1.85	WF 30	DR 63M6	9.4	504
	28	25	32.50*	3000	2.8	WA 30	DR 63M6	8.8	505
	33	24	27.50*	3000	3.0	WAF 30	DR 63M6	9.1	504
	18	28	75.00*	3000	2.5	W 30	DR 63S4	9.1	503
	23	26	60.00*	3000	2.7	WF 30	DR 63S4	9.4	504
	29	23	48.00*	3000	3.1	WA 30	DR 63S4	8.8	505
	35	21	39.00*	3000	3.4	WAF 30	DR 63S4	9.1	504
	42	17	32.50*	3000	4.1				
	12	36	75.00*	2200	1.10	W 20	DR 63M6	6.6	500
	15	32	60.00*	2200	1.25	WF 20	DR 63M6	6.8	501
	28	27	32.50*	2200	1.50	WA 20	DR 63M6	6.3	502
	33	22	27.50*	2200	1.80	WAF 20	DR 63M6	6.3	501
	18	25	75.00*	2200	1.60				
	23	22	60.00*	2200	1.80				
	29	20	48.00*	2200	1.95				
	35	19	39.00*	2200	2.2	W 20	DR 63S4	6.6	500
	42	18	32.50*	2200	2.2	WF 20	DR 63S4	6.8	501
	50	15	27.50*	2200	2.6	WA 20	DR 63S4	6.3	502
	56	14	24.50*	2200	2.9	WAF 20	DR 63S4	6.3	501
	71	12	19.50*	2200	2.9				
	84	10	16.50*	2200	2.9				
	96	9.5	14.33	2200	3.2				
	135	7.2	10.25*	2140	3.5				
	168	5.9	8.20*	1990	3.4				
	210	4.9	6.57	1890	4.1				
	17	27	75.00*	1800	0.95				
	22	23	60.00*	1800	1.05				
	27	21	48.00*	1800	1.15				
	33	20	39.00*	1800	1.30				
	40	18	32.50*	1800	1.40	W 10	DT 56L4	5.3	497
	47	16	27.50*	1800	1.55	WF 10	DT 56L4	5.5	498
	53	15	24.50*	1800	1.70	WA 10	DT 56L4	5.3	499
67	13	19.50*	1800	2.0	WAF 10	DT 56L4	5.5	498	
79	11	16.50*	1800	1.80					
91	10	14.33	1800	2.2					
127	7.7	10.25*	1800	1.70					
159	6.3	8.20*	1800	1.90					
198	5.3	6.57	1800	2.3					
0.18	12	62	75.00*	3000	1.15	W 30	DR 63L6	9.8	503
	15	58	60.00*	3000	1.20	WF 30	DR 63L6	10	504
	27	39	32.50*	3000	1.80	WA 30	DR 63L6	9.5	505
	32	37	27.50*	3000	1.90	WAF 30	DR 63L6	9.8	504

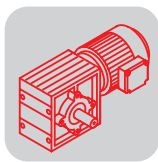


**W..DR/DT**  
W..D.. [kW]

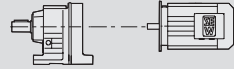

$P_m$ [kW]	$n_a$ [1/min]	$M_a$ [Nm]	$i$	$F_{Ra}^{1)}$ [N]	SEW $f_B$		$m$ [kg]		
<b>0.18</b>	18	44	75.00*	3000	1.60				
	22	40	60.00*	3000	1.75				
	28	35	48.00*	3000	2.0				
	34	32	39.00*	3000	2.2				
	41	27	32.50*	3000	2.6				
	48	25	27.50*	3000	2.8	W 30	DR 63M4	9.1	503
	54	23	24.50*	3000	3.0	WF 30	DR 63M4	9.4	504
	68	20	19.50*	3000	3.6	WA 30	DR 63M4	8.8	505
	81	17	16.33	3000	3.6	WAF 30	DR 63M4	9.1	504
	92	15	14.33	3000	3.9				
	129	12	10.25*	3000	4.3				
	161	9.5	8.20*	3000	4.2				
	201	7.9	6.57	2950	5.1				
	111	12	24.50*	3000	5.9				
	139	9.9	19.50*	3000	7.1	W 30	DR 63S2	9.1	503
	167	8.5	16.33	3000	7.1	WF 30	DR 63S2	9.4	504
	190	7.7	14.33	3000	7.8	WA 30	DR 63S2	8.8	505
	265	5.7	10.25*	2710	8.8	WAF 30	DR 63S2	9.1	504
	332	4.7	8.20*	2520	8.5				
	15	49	60.00*	2200	0.80	W 20	DR 63L6	7.3	500
	32	35	27.50*	2200	1.15	WF 20	DR 63L6	7.4	501
	45	27	19.50*	2200	1.30	WA 20	DR 63L6	7.0	502
						WAF 20	DR 63L6	7.0	501
	18	39	75.00*	2200	1.00				
	22	34	60.00*	2200	1.15				
	28	32	48.00*	2200	1.25				
	34	29	39.00*	2200	1.40				
	41	28	32.50*	2200	1.40	W 20	DR 63M4	6.6	500
	48	24	27.50*	2200	1.70	WF 20	DR 63M4	6.8	501
	54	22	24.50*	2200	1.85	WA 20	DR 63M4	6.3	502
	68	19	19.50*	2200	1.90	WAF 20	DR 63M4	6.3	501
	80	16	16.50*	2200	1.85				
	92	15	14.33	2200	2.0				
129	11	10.25*	2110	2.2					
161	9.2	8.20*	1970	2.2					
201	7.7	6.57	1890	2.6					
111	11	24.50*	2200	3.6					
139	9.4	19.50*	2070	3.7	W 20	DR 63S2	6.6	500	
165	8.2	16.50*	1970	3.7	WF 20	DR 63S2	6.8	501	
190	7.5	14.33	1890	4.0	WA 20	DR 63S2	6.3	502	
265	5.6	10.25*	1710	4.5	WAF 20	DR 63S2	6.3	501	
332	4.6	8.20*	1590	4.4					
<b>0.25</b>	12	86	75.00*	3000	0.80	W 30	DT 71D6	11	503
	15	80	60.00*	3000	0.90	WF 30	DT 71D6	11	504
	27	53	32.50*	3000	1.30	WA 30	DT 71D6	10	505
	36	47	24.50*	3000	1.50	WAF 30	DT 71D6	11	504
	45	40	19.50*	3000	1.75				
	17	62	75.00*	3000	1.15				
	22	57	60.00*	3000	1.25				
	27	50	48.00*	3000	1.40				
	33	45	39.00*	3000	1.55				
	40	38	32.50*	3000	1.85	W 30	DR 63L4	9.8	503
	47	35	27.50*	3000	2.0	WF 30	DR 63L4	10	504
	53	33	24.50*	3000	2.1	WA 30	DR 63L4	9.5	505
	67	28	19.50*	3000	2.5	WAF 30	DR 63L4	9.8	504
	80	24	16.33	3000	2.5				
	91	22	14.33	3000	2.8				
	127	16	10.25*	3000	3.1				
	159	13	8.20*	3000	3.0				
	198	11	6.57	2940	3.6				
	109	17	24.50*	3000	4.2				
	136	14	19.50*	3000	5.0	W 30	DR 63M2	9.1	503
	163	12	16.33	3000	5.0	WF 30	DR 63M2	9.4	504
	186	11	14.33	3000	5.5	WA 30	DR 63M2	8.8	505
	260	8.1	10.25*	2700	6.2	WAF 30	DR 63M2	9.1	504
	324	6.6	8.20*	2520	6.1				

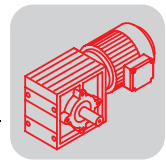


$P_m$ [kW]	$n_a$ [1/min]	$M_a$ [Nm]	$i$	$F_{Ra}^{1)}$ [N]	SEW $f_B$		$m$ [kg]		
0.25	32	48	27.50*	2200	0.85				
	36	43	24.50*	2200	0.90				
	45	37	19.50*	2200	0.95				
	61	30	14.33	2200	1.00				
	86	23	10.25*	2200	1.10				
	107	19	8.20*	2130	1.05				
	134	15	6.57	2100	1.35				
	22	48	60.00*	2200	0.85				
	27	45	48.00*	2200	0.90				
	33	41	39.00*	2200	1.00				
	40	40	32.50*	2200	1.00				
	47	34	27.50*	2200	1.20				
	53	30	24.50*	2200	1.30	W 20	DR 63L4	7.3	500
	67	26	19.50*	2200	1.35	WF 20	DR 63L4	7.4	501
	79	23	16.50*	2200	1.30	WA 20	DR 63L4	7.0	502
	91	21	14.33	2200	1.45	WAF 20	DR 63L4	7.0	501
	127	16	10.25*	2050	1.60				
	159	13	8.20*	1920	1.55				
	198	11	6.57	1870	1.85				
	82	21	32.50*	2200	1.95				
	97	17	27.50*	2200	2.3				
	109	16	24.50*	2150	2.6	W 20	DR 63M2	6.6	500
	136	13	19.50*	2020	2.6	WF 20	DR 63M2	6.8	501
	161	12	16.50*	1930	2.6	WA 20	DR 63M2	6.3	502
	186	11	14.33	1860	2.8	WAF 20	DR 63M2	6.3	501
	260	7.9	10.25*	1680	3.2				
	324	6.5	8.20*	1570	3.1				
	0.37	18	86	75.00*	3000	0.80			
		23	80	60.00*	3000	0.90			
		29	69	48.00*	3000	1.00			
		35	63	39.00*	3000	1.10			
		42	53	32.50*	3000	1.30			
50		49	27.50*	3000	1.40				
56		46	24.50*	3000	1.55				
71		39	19.50*	3000	1.80				
84		33	16.33	3000	1.80				
96		30	14.33	3000	2.0				
135		23	10.25*	3000	2.2				
168		19	8.20*	3000	2.1				
210		16	6.57	2840	2.6				
108		25	24.50*	3000	2.8				
136		21	19.50*	3000	3.4				
162		18	16.33	3000	3.4	W 30	DR 63L2	9.8	503
185		16	14.33	2940	3.7	WF 30	DR 63L2	10	504
259		12	10.25*	2660	4.1	WA 30	DR 63L2	9.5	505
323		9.9	8.20*	2480	4.0	WAF 30	DR 63L2	9.8	504
50		47	27.50*	2200	0.85				
56		43	24.50*	2200	0.95				
71		37	19.50*	2190	0.95				
84		32	16.50*	2110	0.95	W 20	DT 71D4	8.2	500
96		29	14.33	2070	1.00	WF 20	DT 71D4	8.4	501
135		22	10.25*	1900	1.15	WA 20	DT 71D4	7.9	502
168		18	8.20*	1800	1.10	WAF 20	DT 71D4	7.9	501
210		15	6.57	1780	1.30				
108		23	24.50*	2030	1.70				
136		20	19.50*	1920	1.75				
161		17	16.50*	1840	1.75	W 20	DR 63L2	7.3	500
185		16	14.33	1780	1.90	WF 20	DR 63L2	7.4	501
259		12	10.25*	1630	2.1	WA 20	DR 63L2	7.0	502
323	9.6	8.20*	1530	2.1	WAF 20	DR 63L2	7.0	501	



**W..DR/DT**  
W..D.. [kW]

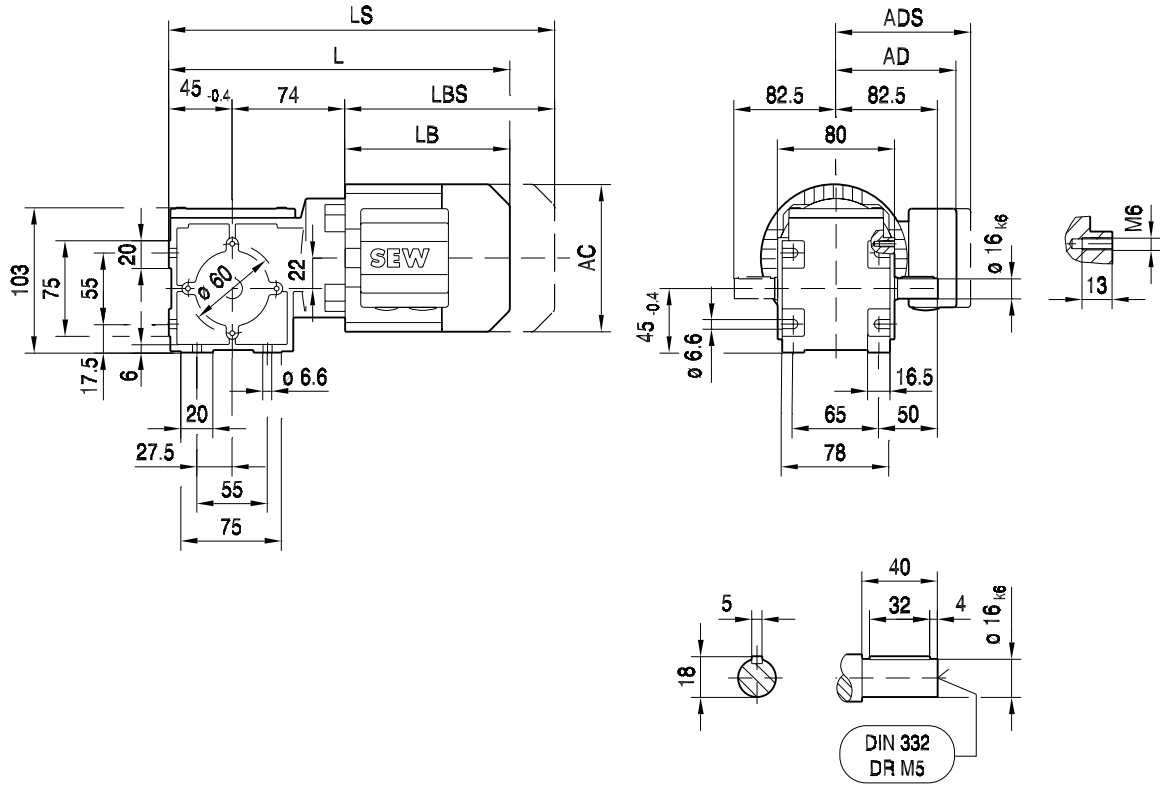
$P_m$ [kW]	$n_a$ [1/min]	$M_a$ [Nm]	$i$	$F_{Ra}^{1)}$ [N]	SEW $f_B$		$m$ [kg]	
<b>0.55</b>	49	74	27.50*	3000	0.95			
	56	69	24.50*	3000	1.00	W 30	DT 80K4	12 503
	83	50	16.33	3000	1.20	WF 30	DT 80K4	13 504
	95	46	14.33	3000	1.30	WA 30	DT 80K4	12 505
	133	34	10.25*	3000	1.45	WAF 30	DT 80K4	12 504
	166	28	8.20*	2910	1.40			
	207	24	6.57	2780	1.70			
	110	36	24.50*	3000	1.95			
	138	31	19.50*	3000	2.3	W 30	DT 71D2	11 503
	165	26	16.33	2930	2.3	WF 30	DT 71D2	11 504
	188	24	14.33	2830	2.5	WA 30	DT 71D2	10 505
	263	18	10.25*	2570	2.8	WAF 30	DT 71D2	11 504
	329	14	8.20*	2410	2.8			
	110	34	24.50*	1830	1.20			
	138	29	19.50*	1750	1.20	W 20	DT 71D2	8.2 500
	164	25	16.50*	1700	1.20	WF 20	DT 71D2	8.4 501
	188	23	14.33	1660	1.30	WA 20	DT 71D2	7.9 502
	263	17	10.25*	1530	1.45	WAF 20	DT 71D2	7.9 501
329	14	8.20*	1450	1.40				
<b>0.75</b>	84	68	16.33	3000	0.90	W 30	DT 80N4	14 503
	96	61	14.33	3000	1.00	WF 30	DT 80N4	14 504
	135	46	10.25*	2940	1.10	WA 30	DT 80N4	13 505
	168	38	8.20*	2780	1.05	WAF 30	DT 80N4	14 504
	210	32	6.57	2690	1.25			
	98	53	27.50*	3000	1.30			
	110	49	24.50*	3000	1.40	W 30	DT 80K2	12 503
	165	36	16.33	2810	1.70	WF 30	DT 80K2	13 504
	188	32	14.33	2730	1.85	WA 30	DT 80K2	12 505
	263	24	10.25*	2500	2.1	WAF 30	DT 80K2	12 504
	329	20	8.20*	2350	2.0			
	<b>1.1</b>	98	78	27.50*	2830	0.90		
110		72	24.50*	2780	0.95	W 30	DT 80N2	14 503
165		52	16.33	2600	1.15	WF 30	DT 80N2	14 504
188		47	14.33	2550	1.25	WA 30	DT 80N2	13 505
263		35	10.25*	2370	1.40	WAF 30	DT 80N2	14 504
329		29	8.20*	2240	1.40			



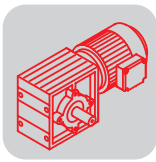
11.4 W ..[mm]

W10..

20 001 01 01

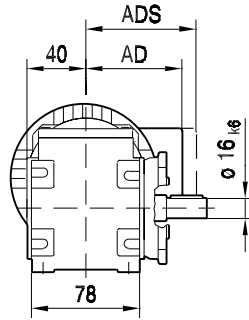
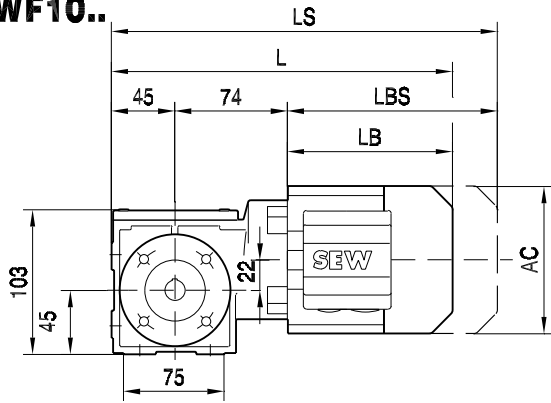


(→ 102)	DT56..									
AC	109									
AD	87									
ADS	87									
L	255									
LS	291									
LB	136									
LBS	172									

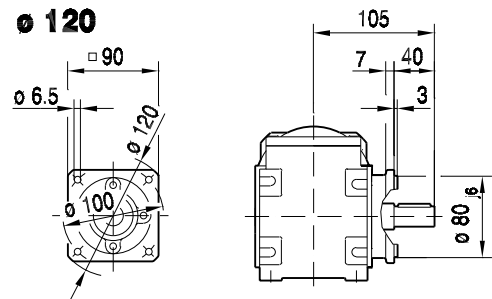
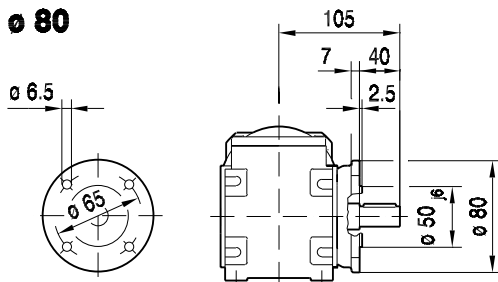
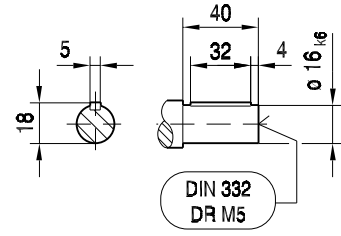


W..DR/DT  
W ..[mm]

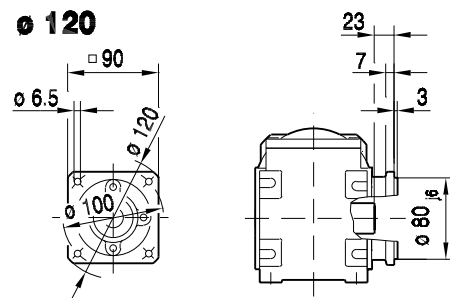
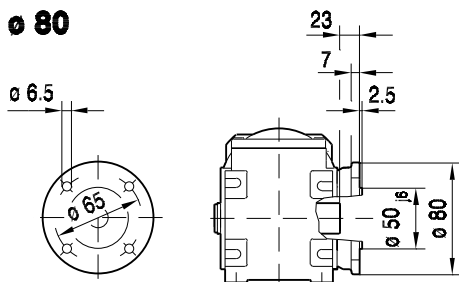
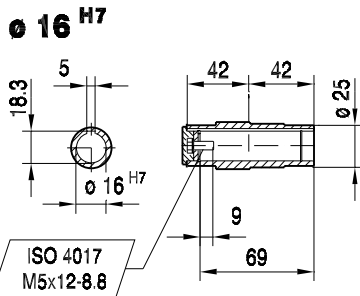
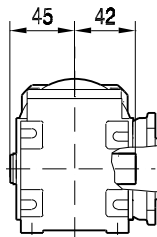
WF10..



20 004 01 01

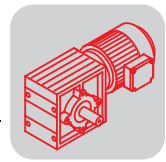


WAF10..

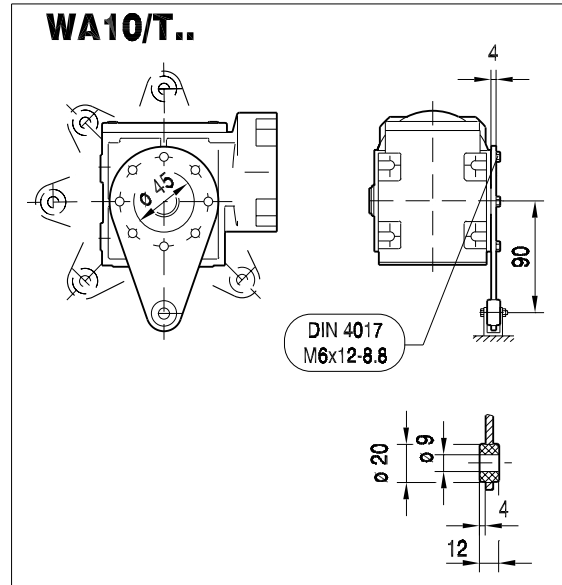


(→ 102)	DT56..																		
AC	109																		
AD	87																		
ADS	87																		
L	255																		
LS	291																		
LB	136																		
LBS	172																		

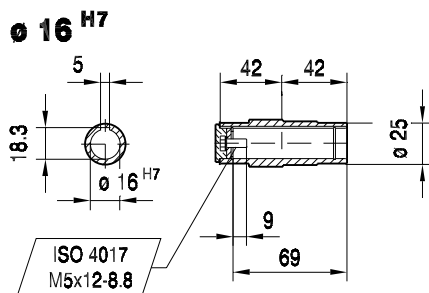
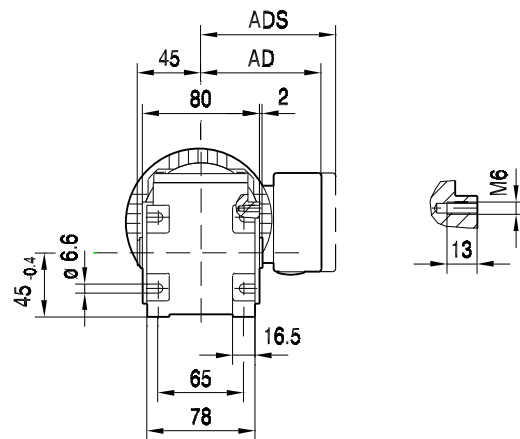
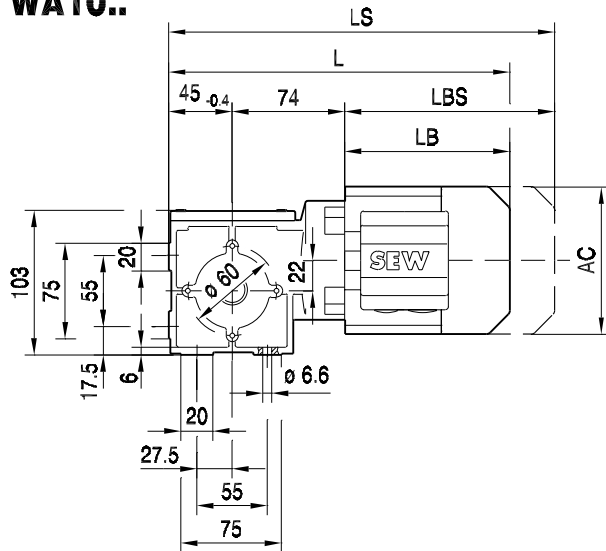




20 007 01 01

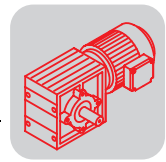


**WA10..**



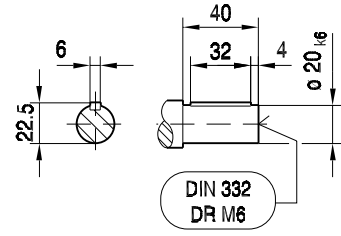
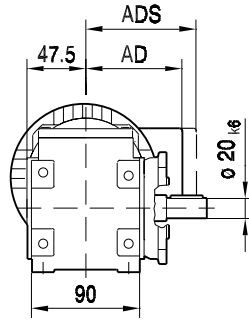
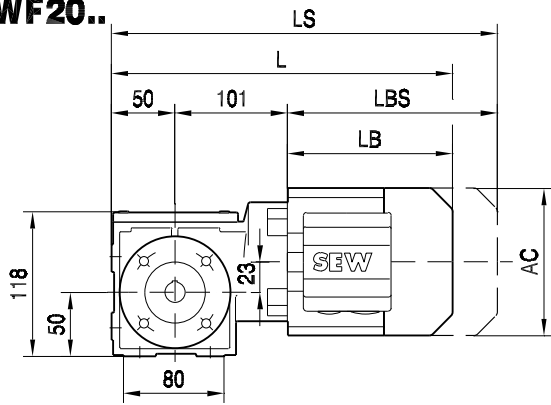
(→ 102)	DT56..									
AC	109									
AD	87									
ADS	87									
L	255									
LS	291									
LB	136									
LBS	172									



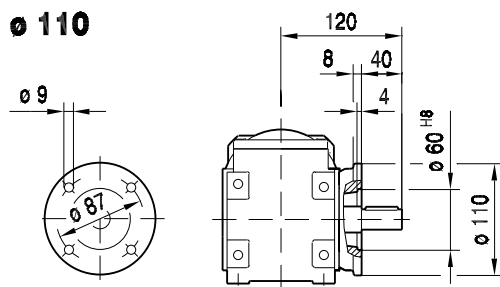


**WF20..**

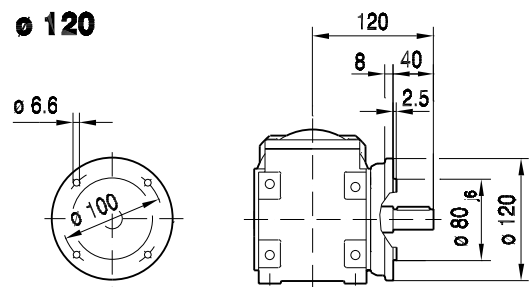
**20 005 02 01**



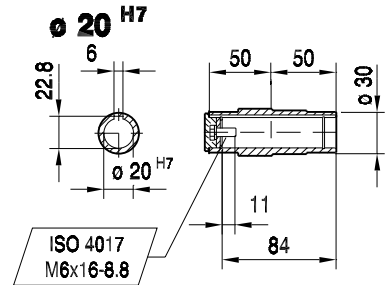
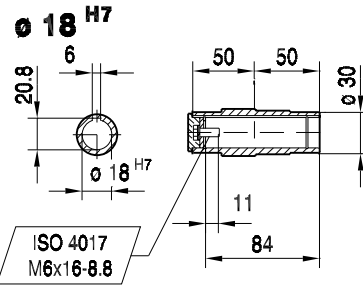
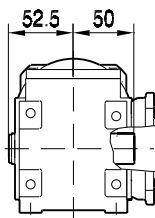
**$\phi 110$**



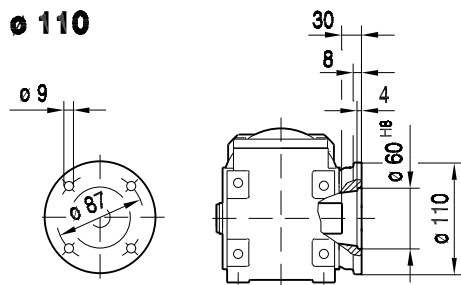
**$\phi 120$**



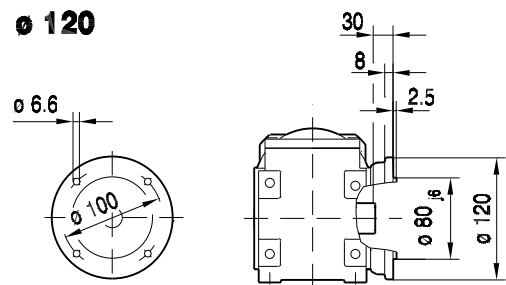
**WAF20..**



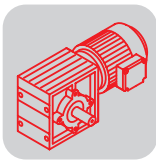
**$\phi 110$**



**$\phi 120$**

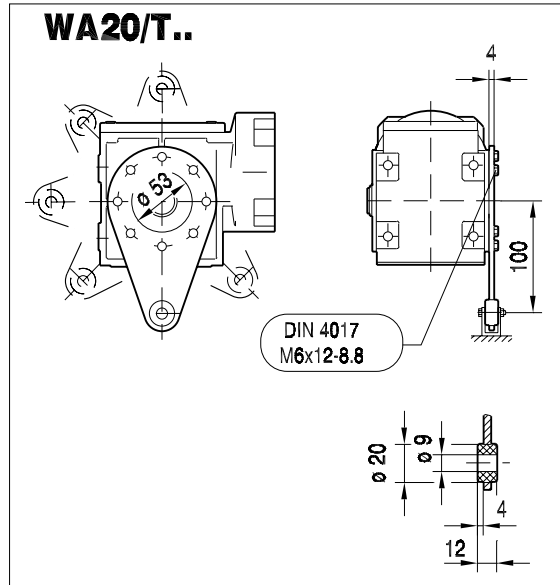


(→ 102)	DR63..	DT71D								
AC	132	145								
AD	105	122								
ADS	105	127								
L	300	315								
LS	355	378								
LB	149	164								
LBS	204	227								

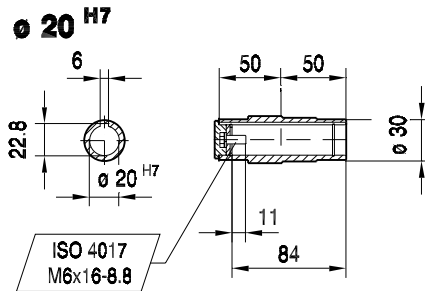
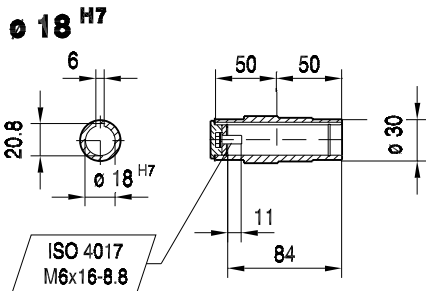
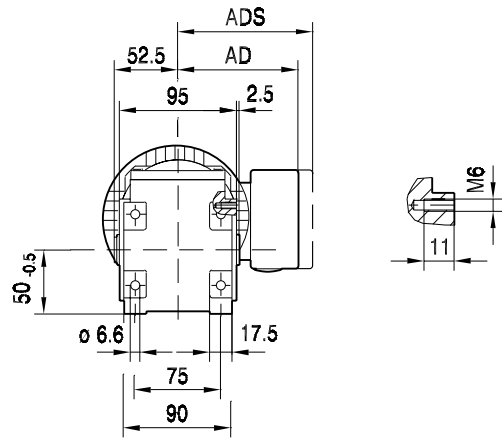
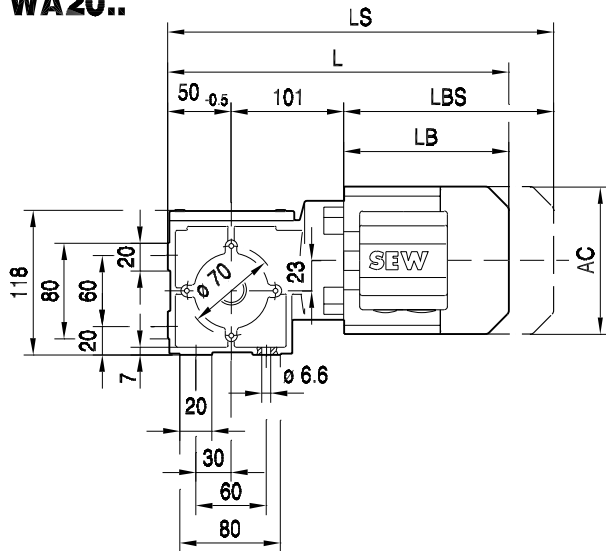


W..DR/DT  
W ..[mm]

20 008 02 01

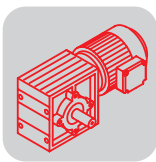


WA20..



(→ 102)	DR63..	DT71D								
AC	132	145								
AD	105	122								
ADS	105	127								
L	300	315								
LS	355	378								
LB	149	164								
LBS	204	227								

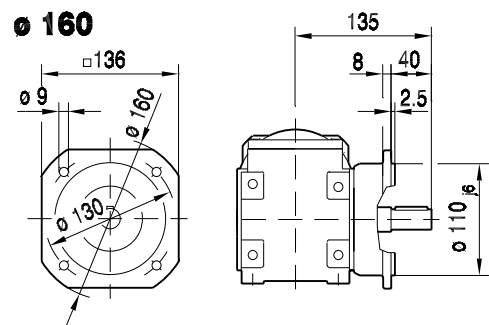
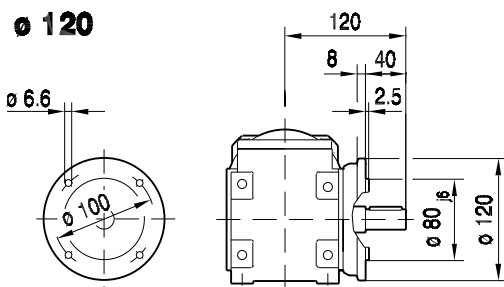
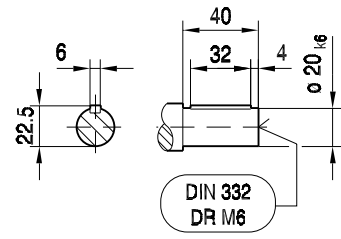
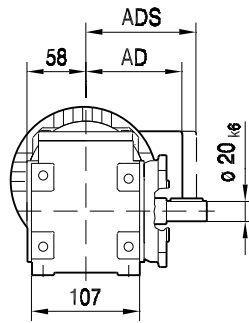
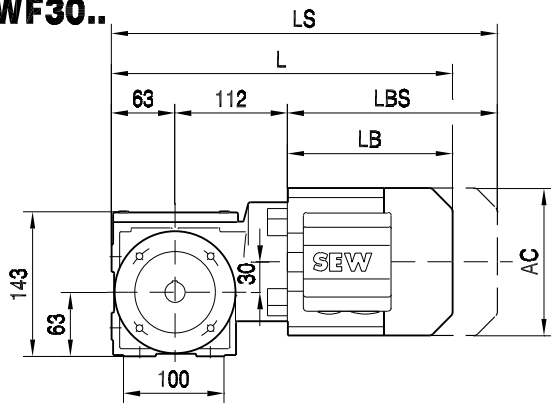




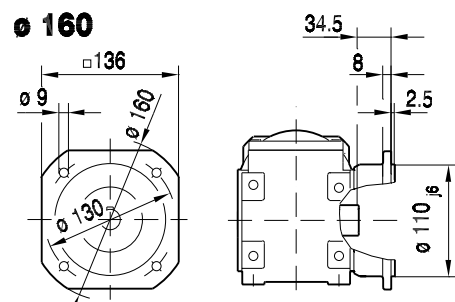
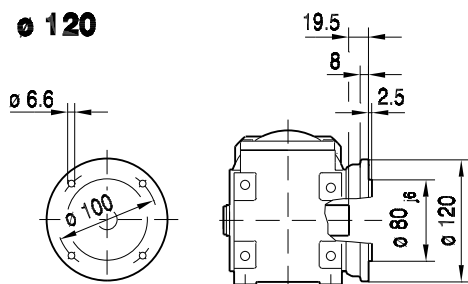
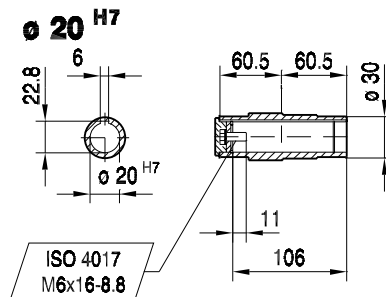
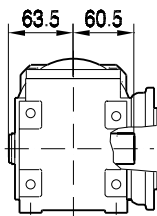
W..DR/DT  
W ..[mm]

WF30..

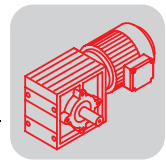
20 006 02 01



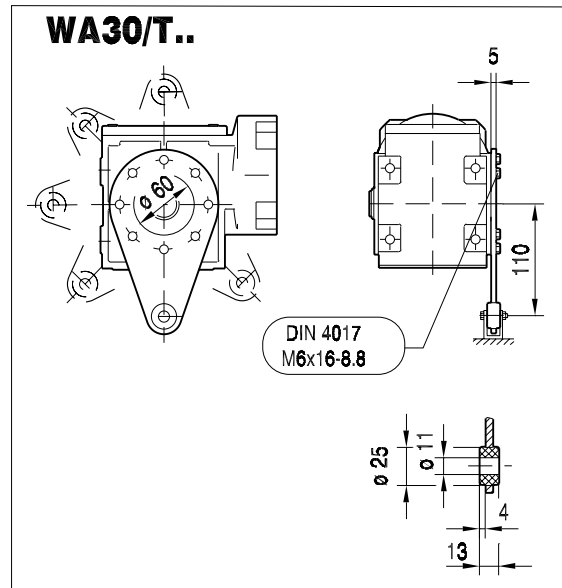
WAF30..



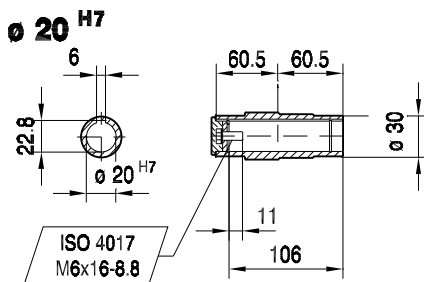
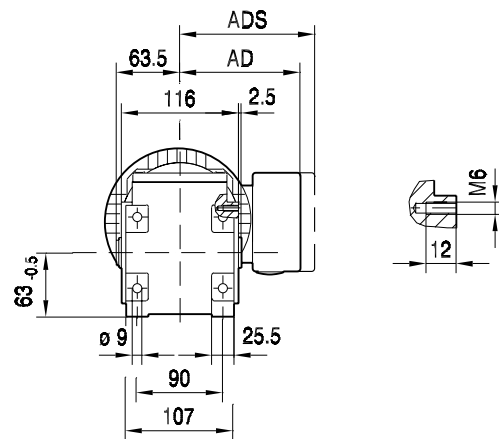
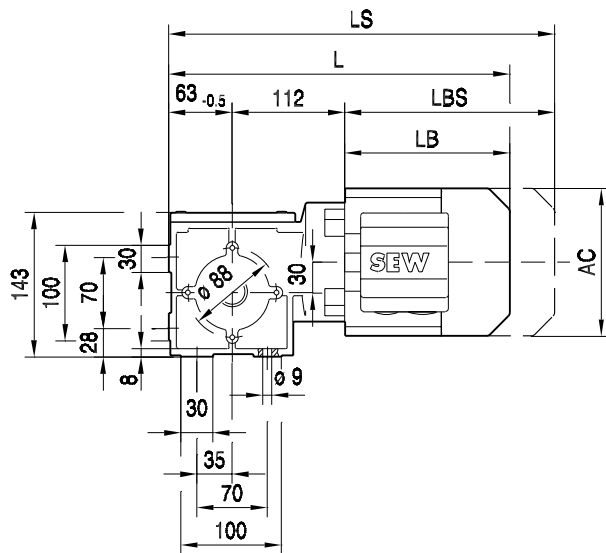
(→ 102)	DR63..	DT71D	DT80..							
AC	132	145	145							
AD	105	122	122							
ADS	105	127	127							
L	324	339	389							
LS	379	402	452							
LB	149	164	214							
LBS	204	227	277							



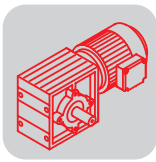
20 009 02 01



**WA30..**



(→ 102)	DR63..	DT71D	DT80..									
AC	132	145	145									
AD	105	122	122									
ADS	105	127	127									
L	324	339	389									
LS	379	402	452									
LB	149	164	214									
LBS	204	227	277									



**W..DR/DT**  
W ..[mm]

---

Архангельск (8182) 63-90-72 Астана +7(7172) 727-132 Белгород (4722) 40-23-64 Брянск (4832) 59-03-52 Владивосток (423) 249-28-31 Волгоград (844) 278-03-48 Вологда (8172) 26-41-59 Воронеж (473) 204-51-73 Екатеринбург (343) 384-55-89 Иваново (4932) 77-34-06 Ижевск (3412) 26-03-58 Казань (843) 206-01-48 Калининград (4012) 72-03-81 Калуга (4842) 92-23-67 Кемерово (3842) 65-04-62 Киров (8332) 68-02-04 Краснодар (861) 203-40-90 Красноярск (391) 204-63-61 Курск (4712) 77-13-04 Липецк (4742) 52-20-81 Магнитогорск (3519) 55-03-13 Москва (495) 268-04-70 Мурманск (8152) 59-64-93 Набережные Челны (8552) 20-53-41 Нижний Новгород (831) 429-08-12 Новокузнецк (3843) 20-46-81 Новосибирск (383) 227-86-73 Орел (4862) 44-53-42 Оренбург (3532) 37-68-04 Пенза (8412) 22-31-16 Пермь (342) 205-81-47 Ростов-на-Дону (863) 308-18-15 Рязань (4912) 46-61-64 Самара (846) 206-03-16 Санкт-Петербург (812) 309-46-40 Саратов (845) 249-38-78 Смоленск (4812) 29-41-54 Сочи (862) 225-72-31 Ставрополь (8652) 20-65-13 Тверь (4822) 63-31-35 Томск (3822) 98-41-53 Тула (4872) 74-02-29 Тюмень (3452) 66-21-18 Ульяновск (8422) 24-23-59 Уфа (347) 229-48-12 Челябинск (351) 202-03-61 Череповец (8202) 49-02-64 Ярославль (4852) 69-52-933

Единый адрес для всех регионов: [swe@nt-rt.ru](mailto:swe@nt-rt.ru) || [www.sew-eurodrive.nt-rt.ru](http://www.sew-eurodrive.nt-rt.ru)